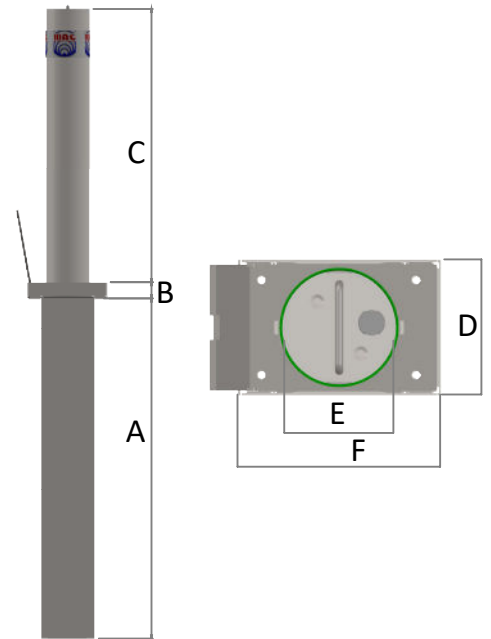


# C80M



## MANUAL BOLLARD

- AVAILABLE IN GROUPS OF 10 PIECES
- LOCK
- CUSTOM CONFIGURATION



U.M. = mm					
A	B	C	D	E	F
630	30	505	100	∅ 80	150

C80M I		
THICKNESS OF THE TUBE	mm	2,5
DIAMETER OF THE TUBE	mm	80
MATERIAL OF THE TUBE		AISI304
TREATMENT AND FINISH OF THE TUBE		BRUSHED
REFLECTIVE STRIP		•
BREAKOUT RESISTANCE	J	20.000
IMPACT RESISTANCE	J	2.500

• = standard equipment

C80M H500		033920252
WEIGHT	Kg	10